

HFE51

SUBMINIATURE INTERMEDIATE POWER RELAY



Features

- 150A Latching relay
- Electrical endurance 10000ops
- According to IEC62055-31:UC3
- Contact resistance $\leq 0.5m\Omega$

CONTACT DATA

Contact arrangement	1U, 1V
Contact resistance ¹⁾	Typ.:0.5m Ω max. (at 150A) ²⁾
Contact material	AgSnO ₂
Contact rating	150A 220VAC
Max.switching Voltage	253VAC
Max. switching current	150A
Rated switching power	33000VA
Mechanical endurance	1 x 10 ⁶ ops

Notes:1)The data shown above are initial values.

2) Typical value: Sampling quantity for contact resistance shall not less than 20 pcs, take the average value from 5 continous measurements for each sample.

CHARACTERISTICS

Insulation resistance	1000M Ω (at 500VDC)	
Dielectric Strength	Between coil & contacts	4000VAC (1min)
	Between open contacts	2000VAC (50/60H 1min)
Electrical distance	8.4mm	
Set time (at nomi. volt.)	20ms max.	
Reset time (at nomi. volt.)	20ms max.	
Shock Resistance	Functional	196m/s ²
	Destructive	980m/s ²
Vibration resistance	10Hz to 55Hz 1.5mm DA	
Humidity	5% to 85% RH	
Ambient temperature	-40°C to 85°C	
Termination	Coil termination	PCB&QC
	Load termination	QC
Unit weight	Approx.110g	
Construction	Dust protected	

Notes: The data shown above are initial values.

COIL

Coil power	Single coils: Approx. 3W Double coils: Approx. 6W
------------	--

COIL DATA

at 23°C

Single coil latching

Nominal Voltage VDC	Set / Reset Voltage VDC ¹⁾ max.	Pulse Duration (Recommended) ms.	Coil Resistance x (1 \pm 10%) Ω
6	≤ 4.8	50~100	12
9	≤ 7.2	50~100	27
12	≤ 9.6	50~100	48
24	≤ 19.2	50~100	192
48	≤ 38.4	50~100	768

Double coils latching

Nominal Voltage VDC	Set / Reset Voltage VDC ¹⁾ max.	Pulse Duration (Recommended) ms.	Coil Resistance x (1 \pm 10%) Ω
6	≤ 4.8	50~100	6+6
9	≤ 7.2	50~100	13.5+13.5
12	≤ 9.6	50~100	24+24
24	≤ 19.2	50~100	96+96
48	≤ 38.4	50~100	384+384

Notes:1) The data shown above are initial values ; recommended driving voltage is 1~1.5times of rated voltage.

ELECTRICAL ENDURANCE

Voltage (Uc)	Current (Ic)	Power Factor	Close Open time (s)	Electrical endurance (ops)
250VAC	120A	COS ϕ =1	7.5:7.5	5500 ops
220VAC	120A	COS ϕ =1	10:20	5000 ops
		COS ϕ =0.5		5000 ops

Notes:1) Electrical endurance meet IEC62055-31 test requirement,do the inductive load test after the resistive load test.

2) The coil is driven at rated voltage.



HONGFA RELAY

ISO9001、ISO/TS16949、ISO14001、OHSAS18001、IECQ QC 080000 CERTIFIED

2020 Rev. 1.00

ORDERING INFORMATION

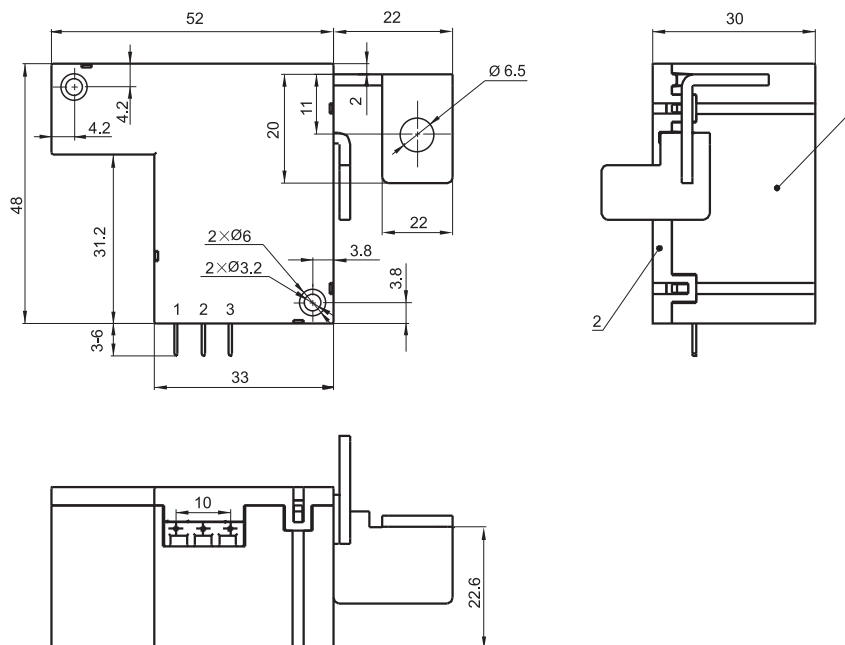
Type	HFE51		12	-SH	T	L1	R	(XXX)
Coil voltage	6, 9, 12, 24, 48VDC							
Contact form ¹⁾	SH: 1 Form A (Double-contact) SD: 1 Form B (Double-contact)							
Contact material	T: AgSnO ₂							
Sort	L1: Single coil latching		L2: Double coils latching					
Polarity	R: Reverse polarity		Nil: Positive polarity					
Special code	XXX: Customer special requirement			Nil: Standard(See electrical endurance)				

Notes: 1) SH means that relay is on the "reset" status when delivery; SD means that relay is on the "set" status when delivery. If no special required by customer, we will keep the relay on the "set" status when delivery.

OUTLINE DIMENSIONS AND WIRING DIAGRAM

Unit: mm

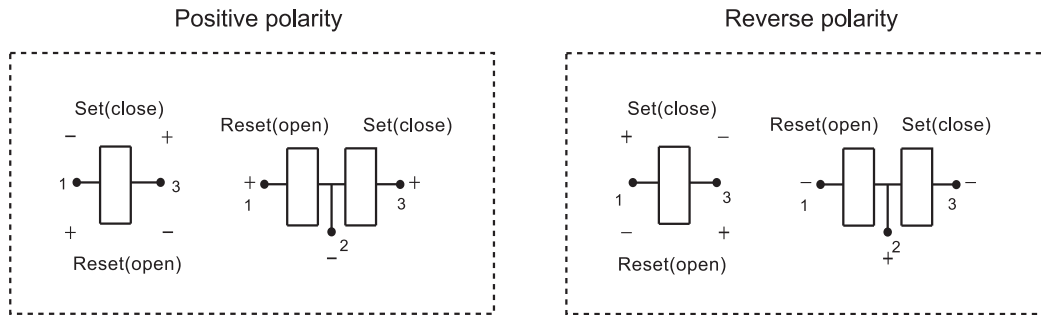
Outline Dimensions



Remark: 1) In case of no tolerance shown in outline dimension: outline dimension ≤ 1 mm, tolerance should be ± 0.2 mm; outline dimension > 1 mm and ≤ 5 mm, tolerance should be ± 0.3 mm; outline dimension > 5 mm, tolerance should be ± 0.4 mm.

2) The tolerance without indicating for PCB layout is always ± 0.1 mm.

Wiring Diagram



Notice:

1. Relay is on the "reset" or "set" status when being released from stock, with the consideration of shock risen from transit and relay mounting, relay would be changed to "set" or "reset" status, therefore, when application (connecting the power supply), please reset the relay to "set" or "reset" status on request.
2. Do not energize voltage to "set" coil and "reset" coil simultaneously. And also long energized time (more than 1 min) should be avoided.
3. Normally the load terminals are not suitable for reflow solder, wave solder or tin solder, we suggest use spot welding. Load terminals shall be prevented from assembly stress, or freely move.
4. Relays used for metering measuring applications are usually made with dust proof structure, while most relays could be made specially per customer's specific requirements. No longer than 6 months' storage time is recommended for this kind of relay, and please pay attention to the storage environment. To ensure contact reliability, we will keep contact status be closed when delivery if no special required by customer.

Disclaimer

The specification is for reference only. Specifications subject to change without notice. We could not evaluate all the performance and all the parameters for every possible application. Thus the user should be in a right position to choose the suitable product for their own application. If there is any query, please contact Hongfa for the technical service. However, it is the user's responsibility to determine which product should be used only.